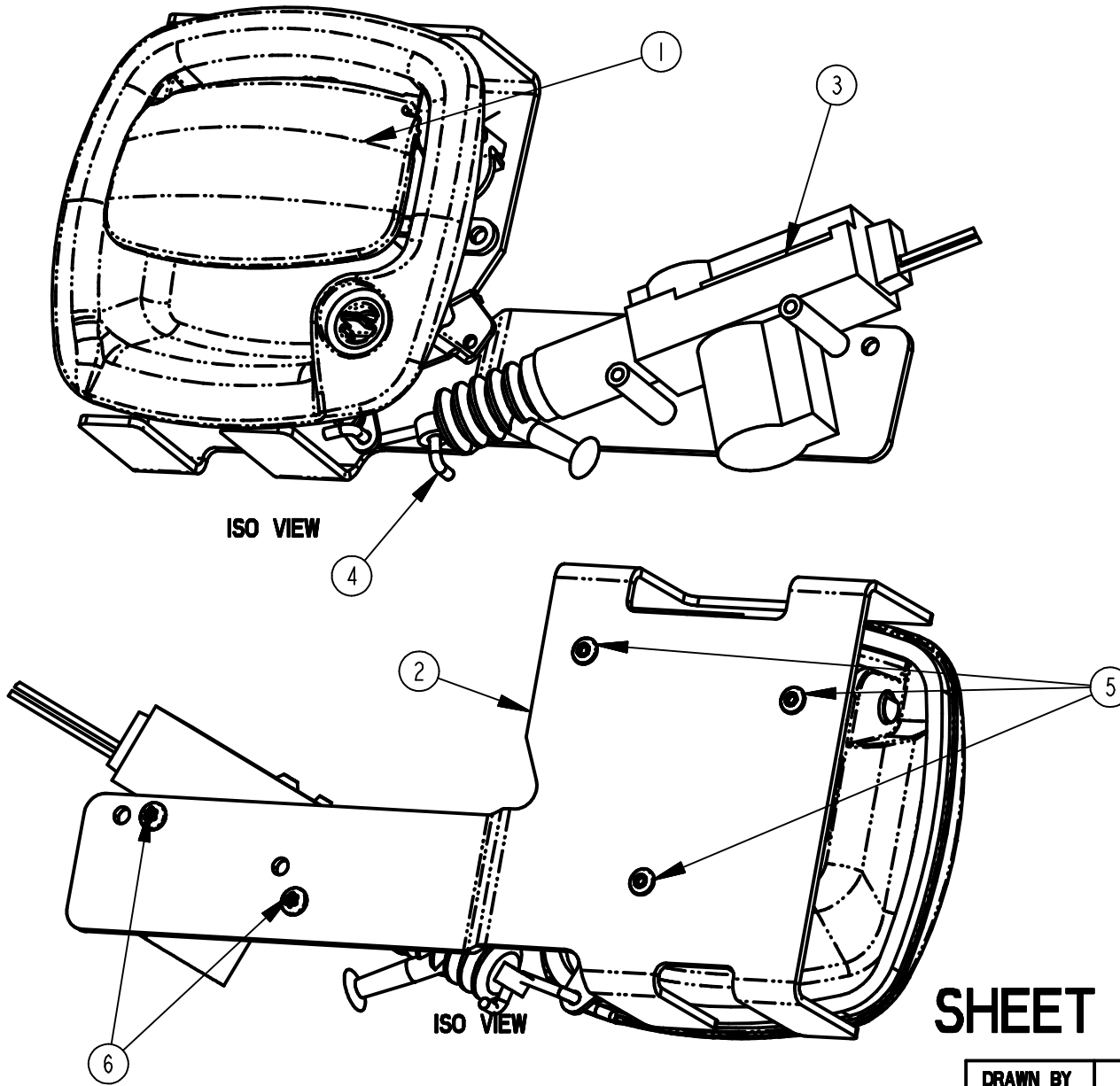


6	19935-02	POWER ACTUATOR MOUNT FASTENERS	2
5	15555-01	ASSEMBLY MOUNT FASTENER	3
4	20504-01	POWER LOCK ROD	1
3	19062-01	POWER ACTUATOR	1
2	20503-01	POWER MOUNTING BRACKET	1
1	20358-01 THRU -16	BAGGAGE ASSEMBLY WITHOUT PLUNGER	1
RIGHT HAND 060-0475 NON PLUNGER WITH POWER LOCK			



SHEET 5 OF 7

DRAWN BY	BJP	6/26/14
CHKD BY		
RLSE DATE		

TYPICAL APPLICATION	
MODEL TY060-0475	
SCALE	DESCRIPTION
0.500	060-0475, TYPICAL APPLICATIONS
SIZE	
A	
REVISION	PART NUMBER
	TY060-0475A